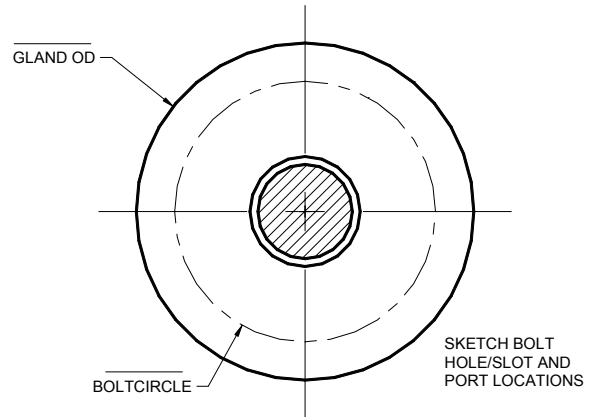
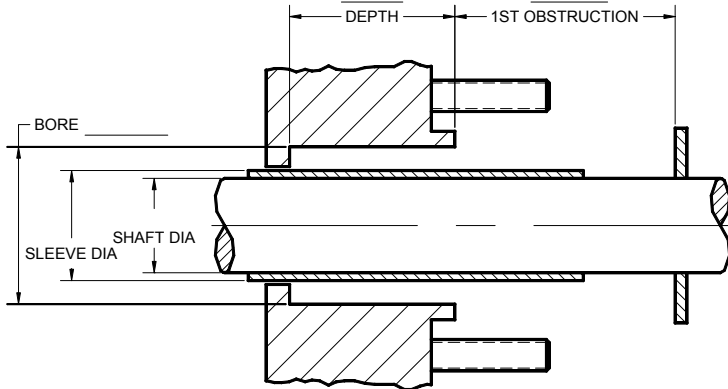




# ADVANCED SEALING TECHNOLOGY MECHANICAL SEAL INQUIRY

AST Distributor: \_\_\_\_\_ Location: \_\_\_\_\_  
Salesman: \_\_\_\_\_ Telephone: ( ) - Fax: ( ) -

Customer: \_\_\_\_\_  
Customer contact: \_\_\_\_\_ Telephone: ( ) - Fax: ( ) -



## EQUIPMENT

Mfg: \_\_\_\_\_

Model: \_\_\_\_\_

Material of wetted parts: \_\_\_\_\_

Pump:

- Back pull-out
- End-suction
- Inline
- Vertical
- Double-ended
- Horizontal split case
- Vertical split case
- Double suction

Other: \_\_\_\_\_

Mixer/agitator:

- Top-entry
- Bottom-entry
- Side-entry

## SERVICE

Speed \_\_\_\_\_ RPM

Pressure: Stuffing box: \_\_\_\_\_

Suction: \_\_\_\_\_ Discharge: \_\_\_\_\_

Temperature: Normal: \_\_\_\_\_ Max: \_\_\_\_\_

Intermittent run     Continuous

Does pump sometimes run dry? \_\_\_\_\_

Is system cleaned? \_\_\_\_\_

With what? \_\_\_\_\_

## PRODUCT

Sealed fluid: \_\_\_\_\_

Concentration: \_\_\_\_\_

Solids? \_\_\_\_\_

Vapor pressure: \_\_\_\_\_

Specific gravity: \_\_\_\_\_

## ENVIRONMENTAL CONTROLS

- Flush/injection Cooled?
- Quench Steam or water?
- Jacketed box? Cooled or heated?
- Barrier/buffer liquid (for dual seal)

## SEALING EXPERIENCE

Present seal: \_\_\_\_\_

Seal materials: \_\_\_\_\_

Service life: \_\_\_\_\_

Failure mode: \_\_\_\_\_

## NOTES